

NEW DESIGN

Pushbuttons, Selector Switches, Pilot Lights (Command Series)

New added value that goes beyond improving the size and performance of equipment.

The newly designed command switches add value to the entire equipment.



■ Features

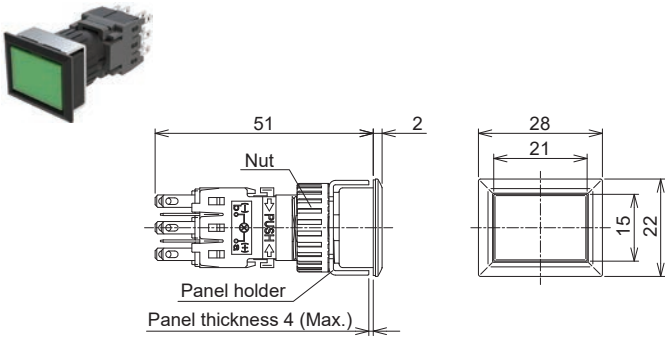
- The ø16 series has been redesigned and renewed as a series with enhanced design quality while maintaining the compatibility with conventional types.
- The ø16 and ø22 series are now available with a thinner design that protrudes less from the panel surface, further widening the variation of the lineup.
- The illuminated type has a larger light-emitting surface and improved visibility.
- The design of the button surface has been changed to fit the fingertips, improving not only the appearance but also the sense of operation.

■ New Command Switch Lineup

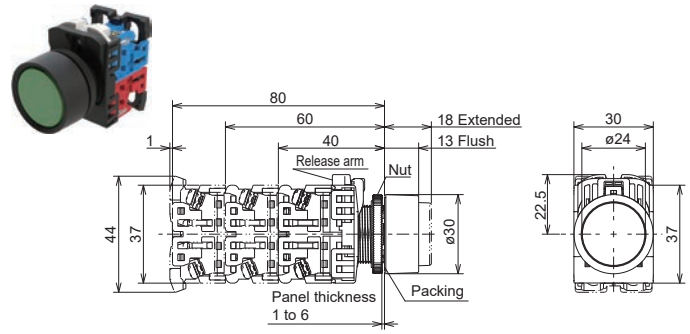
Series	ø 16 series								ø 22 series			
Mounting hole size (for round holes)	ø16				ø18	ø19	ø22		ø22	ø30		
Panel cut shape	Round	Round	Round	Round	Round/square	Round/square	Round	Square	Round	Round		
Structure	Separated contact type	Separated contact type	Separated contact type	Integrated contact type	Separated contact type	Integrated contact type	Separated contact type	Separated contact type	Separated contact type	Separated contact type		
	Standard type	Standard type	Standard type	Standard type	Thin type	Thin type	Thin type	Thin type	Standard type	Thin type		
Basic type	AH164	AH165	AH165-2	AR16 · DR16	AR16	AH185	AF16 · DF16	AH225	AG225	AR22 · DR22	AR22 (Some Models)	AF30
Appearance	New Design	New Design	New Design	New Release	New Release	New Release	New Release	New Design	New Design	New Release	New Release	New Release
Series specs	Pushbutton switch	New Design	New Design	New Design		New Release		New Design	New Design		New Release	New Release
	Illuminated pushbutton switch	New Design	New Design	New Design		New Release		New Design	New Design		New Release	New Release
	Emergency stop pushbutton switch				New Release						New Release	
	Pilot light	New Design	New Design	New Design		New Release		New Release	New Release			
	Selector switch	New Design	New Design	New Design		New Release		New Design	New Design			New Release

* The **New Design** products maintain the same product type.

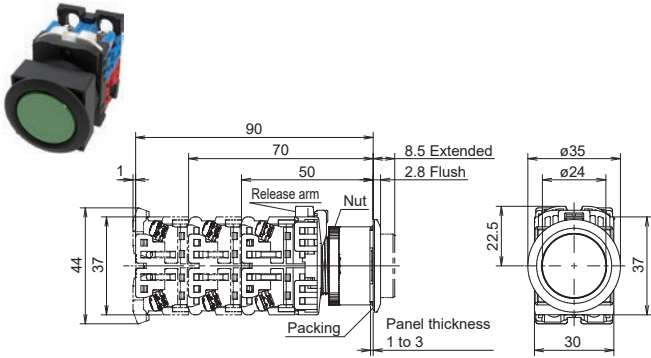
AH185-TL / ϕ 16 Series Compact Thin Type



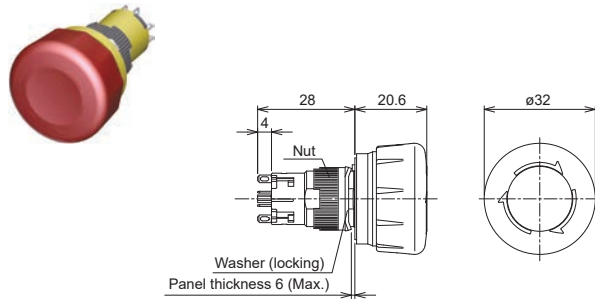
AR22F0C E0C / ϕ 22 Series Enhanced-Design Type



AF30F0C E0C / ϕ 22 Series Thin Type

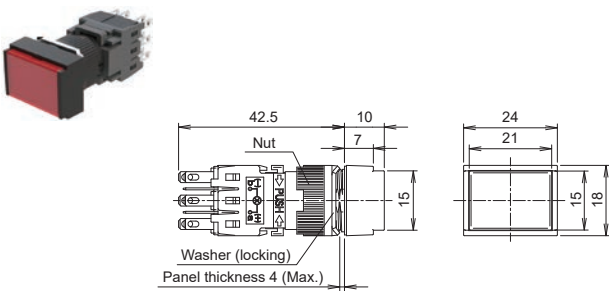


AR16V2R / ϕ 16 Series Enhanced-Design Type

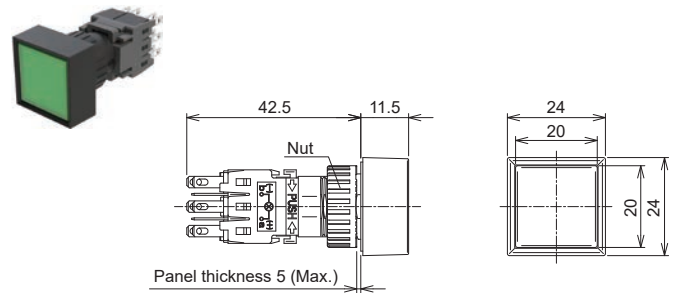


[Unit: mm]

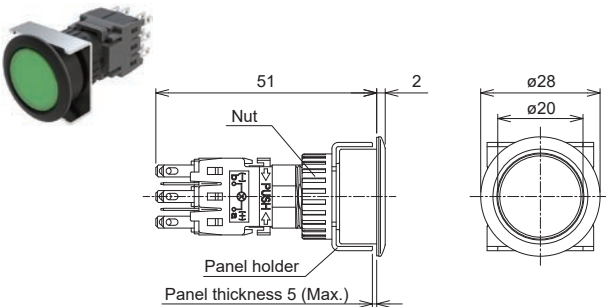
AH165-TL / ϕ 16 Series Compact Enhanced-Design Type



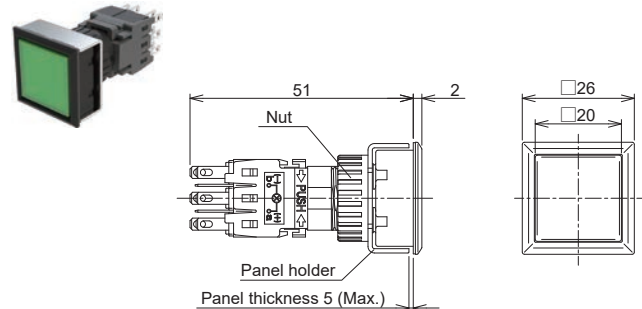
AH165-2SFL / ϕ 16 Series Large Enhanced-Design Type



AH225-FL / ϕ 16 Series Large Thin Type



AG225-FL / ϕ 16 Series Large Thin Type



[Unit: mm]