

Fuji Electric Bill Validator

# FGB series



**High reliability design**  
(bill transport performance, environmental resistance, high durability)

**Equipped with high performance sensors for high performance bill validation**

**Easy maintenance (unit structure, preventive maintenance)**

**Version upgrade functions (software support)**

**Variations (300/600bills, upright/inverted)**

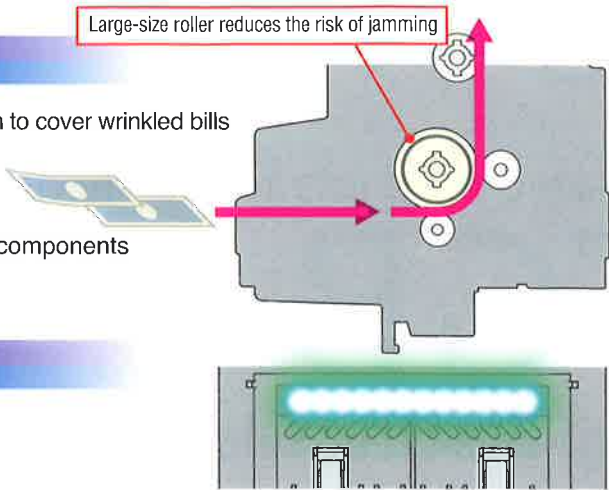
■ Main applications

- Vending machines
- ID photo booths
- Parking payment machines
- Kiosk terminals
- Ticket vending machines
- Gas station payment machines



## ▶▶ High-reliability design

- Improved transport performance with roller conveyance system to cover wrinkled bills
- Improved reliability of various sensors
- Self-cleaning structure (during bill transportation)
- Improved durability performance through review of various components  
(1.5 times greater durability than existing equipment)

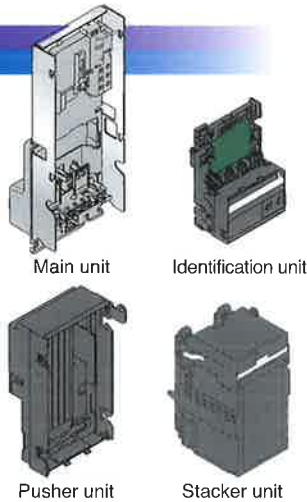


## ▶▶ High-performance sensors

- Equipped with high-performance bill identification sensors

## ▶▶ Easy maintenance

- Replaceable by per-unit basis
- Easy maintenance
  - ▶ Optimized maintenance parts
  - ▶ Easier cleaning
- Preventive maintenance (notification functions)
  - ▶ Display estimated timing of "cleaning" "parts replacement"



Various maintenance information is displayed in alphanumeric characters

## ▶▶ Version upgrades

- Specialized tools

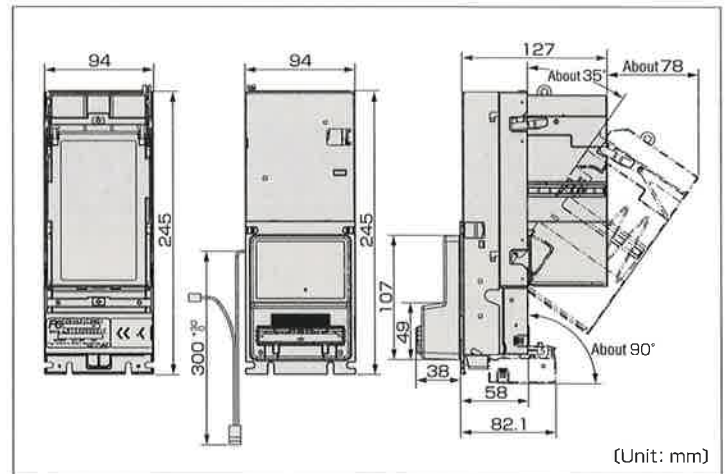
## ▶▶ Lineup

- Handled bill denominations
  - A type (small-denomination bills)
  - B type (large-denomination bills)
- Mounting orientation
  - stacker up type (Standard)/stacker down type
- Bill storage capacity
  - 300 bill type/600 bill type

### Specifications

Item	Description	Remarks
External dimensions [mm]	94(W) × 245(H) × 97.5(D)	300 bill type
	94(W) × 245(H) × 127(D)	600 bill type
Accepted bills	A type	(small-denomination bills)
	B type	(large-denomination bills)
Identification accuracy switching	Yes (standard or high accuracy)	
Bill storage capacity	300 bill type	
	600 bill type	
Full bill storage detection	Yes	
Setting functions	8-pole DIP switch	
Bill inlet indicator	Green (high-brightness LED)	
Display functions	7-segment display (Display of malfunctions, preventive maintenance functions)	
Interface	Multidrop bus (MDB)	
Special notes	Structure allows opening and closing of bill insertion passage	
	Version upgrade compatible	Specialized tools
	Stacker unit is lockable with a padlock	

### External dimensions (600 bill type)



(Unit: mm)

Printed on recycled paper