

Fuji Electric Global Coin Mech

FGC^{series}

Improved reliability by new payout mechanism

Reliable design (environment, high reliability)

High coin identification performance with high performance sensor

Easy maintenance (cassette tube)

Version update function (dedicated tool)

Flexibility (denomination setting, support medals, acceptor unit)

Built-in VCCS conversion function



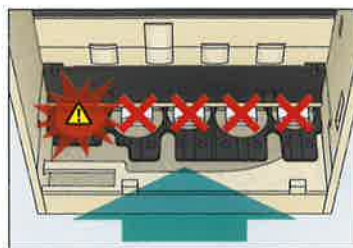
□ Main applications.....

- Vending machines
- Instant ID photo booths
- Parking lots and garages
- Kiosk terminals
- Train stations
- Gas stations

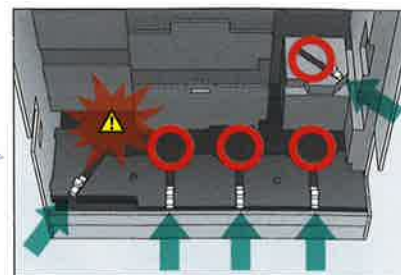


High reliable design

- Improved reliability by new payout mechanism
- Improved reliability with new acceptor
- Improved coin validation performance by new coin validation sensor
- Improved durability for each part (x1.5 conventional model)



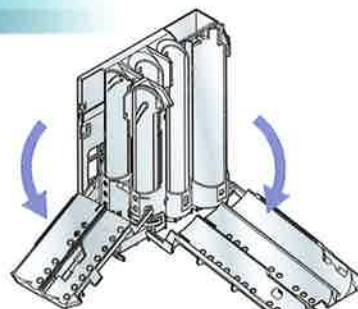
Conventional payout mechanism
Since the payout mechanisms work in conjunction, all will be stopped when lock is occurred in 1 location.



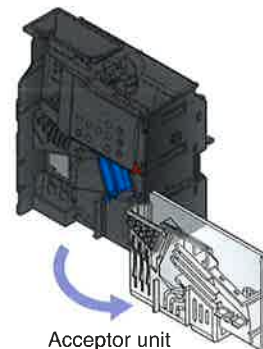
New model payout mechanism
Since the payout mechanisms work individually, the operation will not stop if alternate payout is available even when lock is occurred in 1 location.

Easy maintenance

- Continuous usage of the cassette tube
 - ▶ Optimization of maintenance parts
 - ▶ Improvement of daily handling and cleaning
- Preventive maintenance (notification functions)
 - ▶ Displaying of cleaning time, guide of parts replacement



Change tube unit



Acceptor unit



Control panel



Status monitor

Specification		
Item	Content	Remark
External dimensions [mm]	138 (W) x 356 (H) x 82 (D)	Does not include the connection cable
Supported coin size	Supported maximum diameter ϕ 30 mm	Please inquire about supported coins for each country.
Identification speed	Approx. 2 coins/sec	
Identification accuracy switching	Yes	
Setting function	dip switch	
Display function	7 segment display + individual LED failure, preventive maintenance function display	
Interface	MDB, VCCS	Includes Fuji Electric bill validator MDB conversion function
Number of tubes	5 change tubes	Denomination can be set for each tube
Change storage unit mechanism	Cassette (rear cover open/close mechanism)	
Alternate payout function	Yes	Can payout with other tube when the change payout is locked
Special instruction	Supports version update	Dedicated tool
	Cassette lock function with a padlock	Padlock is not included

Version update

- Dedicated tool

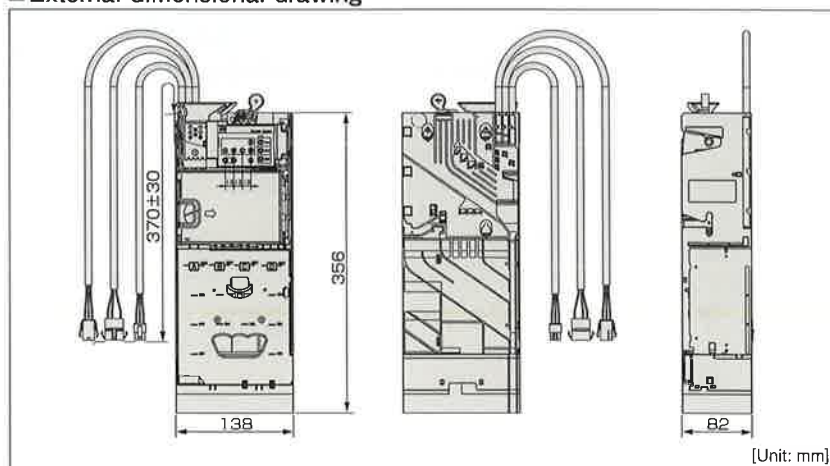
Variations

- Support VCCS
- Acceptor



Acceptor

External dimensional drawing



Fuji Electric Co., Ltd.

Gate City Ohsaki, East Tower, 11-2, Osaki 1-chome, Shinagawa-ku, Tokyo 141-0032, Japan
Phone : (03)5435-7111